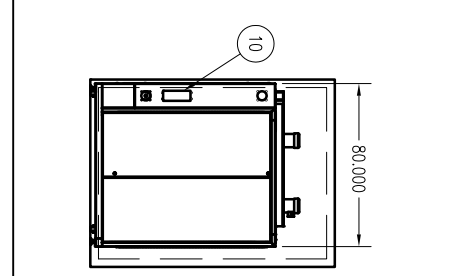
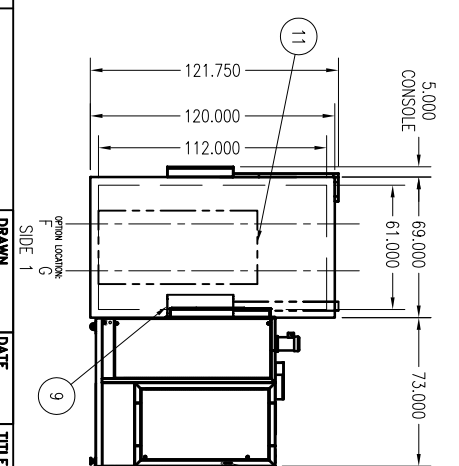
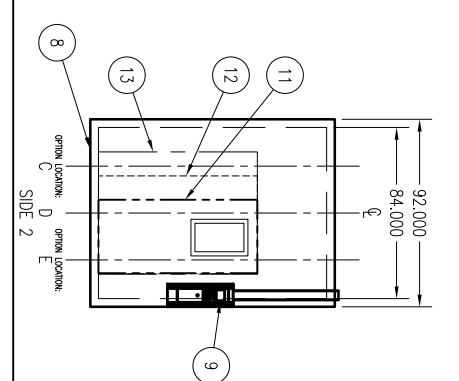
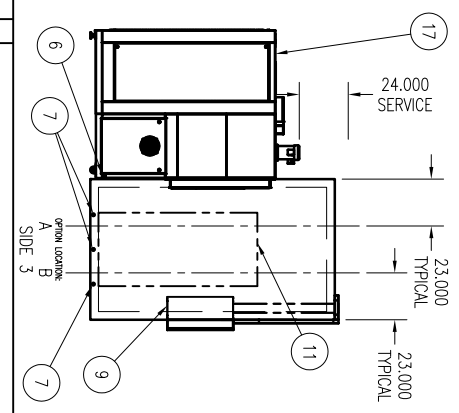
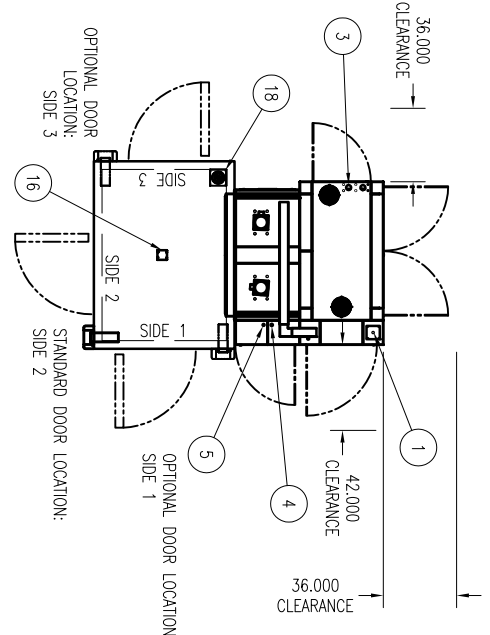


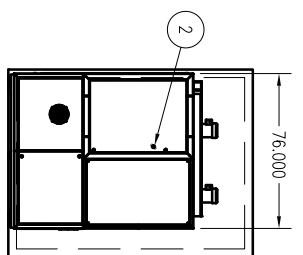
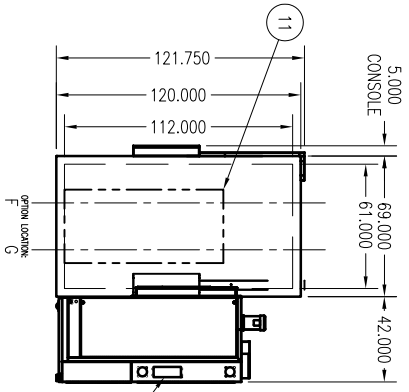
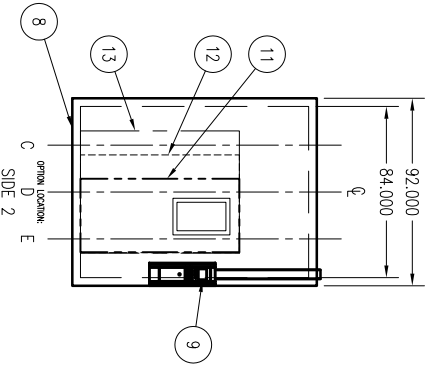
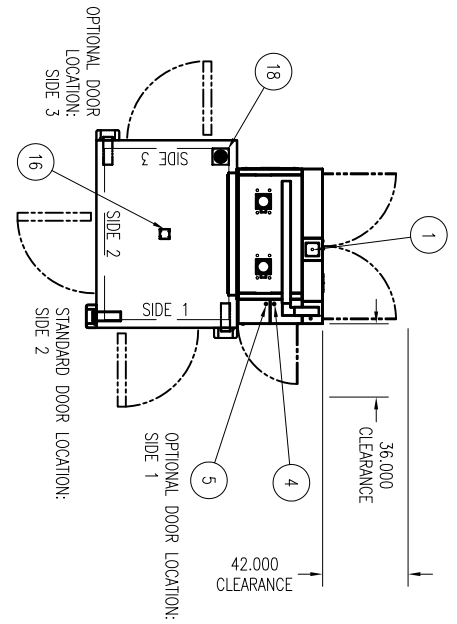
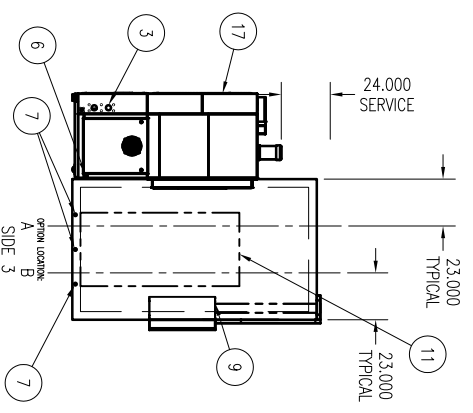
- NOTES:
- STANDARD CHAMBER DOOR LOCATION IS ON SIDE 2. DOOR CAN BE LOCATED ON SIDE 1 OR 3. OPTIONS SHOWN IN LEFT/RIGHT VIEW FOR REFERENCE. DOORS AVAILABLE IN 78"H, 84"H, OR 96"H.
 - CHAMBER DRAIN LOCATION:
W/ STANDARD DOOR LOCATION: SIDE 2 - AS SHOWN
W/ OPTIONAL DOOR LOCATION: SIDE 1/3 - CHAMBER SIDE OPPOSITE DOOR
 - MAP DRAIN LOCATION:
W/ STANDARD DOOR LOCATION: SIDE 2 - AS SHOWN
W/ OPTIONAL DOOR LOCATION: SIDE 1/3 - CHAMBER SIDE OPPOSITE DOOR
 - DRP TRAY DRAIN ON HINGE SIDE OF CHAMBER DOOR.
 - ALLOW 24.00" OF ACCESS SPACE AROUND ENTIRE PANEL BOX FOR CONSTRUCTION.
 - MAP MOVE-IN DIMENSIONS: 82.00"W x 80.00"D x 104.00"H
PANEL BOX MOVE-IN DIMENSIONS: 4.50"W x 113.00"D x 71.00"H.



NO.	NAME	QTY.	REMARKS
1	MAIN POWER INLET	1	
2	MAIN POWER DISCONNECT	1	
3	COOLING WATER IN/OUT	1	
4	HUMIDITY WATER INLET	1	
5	COMPRESSED AIR INLET	1	
6	MAP DRAIN	1	
7	CHAMBER DRAIN	3	
8	DOOR DRP PAN DRAIN	1	
9	OPERATOR INTERFACE	1	LATCH SIDE OF DOOR
10	OPTION PANEL	1	SELECT DOOR SIDE
11	DOOR, 36" W X 78" H W/ WINDOW	1	SELECT DOOR SIDE
12	DOOR, OPTIONAL, 48" W X 78" H W/ WINDOW	N/A	SIDE 2 ONLY
13	DOOR, OPTIONAL, 60" W X 78" H W/ WINDOW	N/A	SIDE 2 ONLY
14	OPTIONAL WINDOW, 14" W X 24" VIEW	A/R	PICK OPTION LOCATION A-G
15	CABLE PORT: 42", 4" OR 6"	A/R	PICK OPTION LOCATION A-G
16	LIGHT 100W	1	
17	MODULAR AIR PLENUM (MAP)	1	
18	VENT PORT	1	

TITLE: CHAMBER CONCEPT		DRAWING NO. EWP332		REVISION	
DATE: 6/22/2016		SCALE: 1:50		1 OF 2	
DESIGNED BY: N. DIERLAM		UNITS: INCHES			
DRAWN BY: N. DIERLAM		TOLERANCE: ±0.500 [13]			
MATERIAL		MODEL NO. 6 X 8 X 10 - MAP1			
		ESPEC NORTH AMERICA, INC. 4141 Central Parkway Hudsonville, MI 49426			
TITLEB; EFD 0603B 10-22-98 REV. 1.01		DRAWING REVISION			

- NOTES:
- STANDARD CHAMBER DOOR LOCATION IS ON SIDE 2. DOOR CAN BE LOCATED ON SIDE 1 OR 3. OPTIONS SHOWN IN LEFT/RIGHT VIEW FOR REFERENCE. DOORS AVAILABLE IN 78"H, 84"H, OR 96"H.
 - CHAMBER DRAIN LOCATION:
W/ STANDARD DOOR LOCATION: SIDE 2 - AS SHOWN
W/ OPTIONAL DOOR LOCATION: SIDE 1/3 - CHAMBER SIDE OPPOSITE DOOR
 - MAP DRAIN LOCATION:
W/ STANDARD DOOR LOCATION: SIDE 2 - AS SHOWN
W/ OPTIONAL DOOR LOCATION: SIDE 1/3 - CHAMBER SIDE OPPOSITE DOOR
 - DRIP TRAY DRAIN ON HINGE SIDE OF CHAMBER DOOR.
 - ALLOW 24.00" OF ACCESS SPACE AROUND ENTIRE PANEL BOX FOR CONSTRUCTION.
 - MAP MOVE-IN DIMENSIONS: 78.00"W x 48.50"D x 104.00"H
PANEL BOX MOVE-IN DIMENSIONS: 4.50"W x 113.00"D x 71.00"H.



NO.	NAME	QTY.	REMARKS
1	MAIN POWER INLET	1	
2	MAIN POWER DISCONNECT	1	
3	COOLING WATER IN/OUT	1	
4	HUMIDITY WATER INLET	1	
5	COMPRESSED AIR INLET	1	
6	MAP DRAIN	1	
7	CHAMBER DRAIN	3	
8	DOOR DRIP PAN DRAIN	1	
9	OPERATOR INTERFACE	1	LATCH SIDE OF DOOR
10	OPTION PANEL	1	
11	DOOR, 36"W X 78"H W/ WINDOW	1	SELECT DOOR SIDE
12	DOOR, OPTIONAL 48"W X 78"H W/ WINDOW	N/A	SIDE 2 ONLY
13	DOOR, OPTIONAL 60"W X 78"H W/ WINDOW	N/A	SIDE 2 ONLY
14	OPTIONAL WINDOW, 14"W X 24"H VIEW	A/R	PICK OPTION LOCATION A-G
15	CABLE PORT: 42", 4" OR 6"	A/R	PICK OPTION LOCATION A-G
16	LIGHT TOWW	1	
17	MODULAR AIR PLENUM (MAP)	1	
18	VENT PORT	1	

MATERIAL	
DRAWN N. DIERLAM	DATE 6/22/2016
DESIGNED N. DIERLAM	SCALE 1:50
TOLERANCE ±0.500 [13]	UNITS INCHES

espec
ESPEC NORTH AMERICA, INC.
4141 Central Parkway
Hudsonville, MI 49426

TITLE:	
MODEL NO.	6 X 8 X 10 - MAP2
DRAWING NO.	EWP332
REVISION	2 OF 2