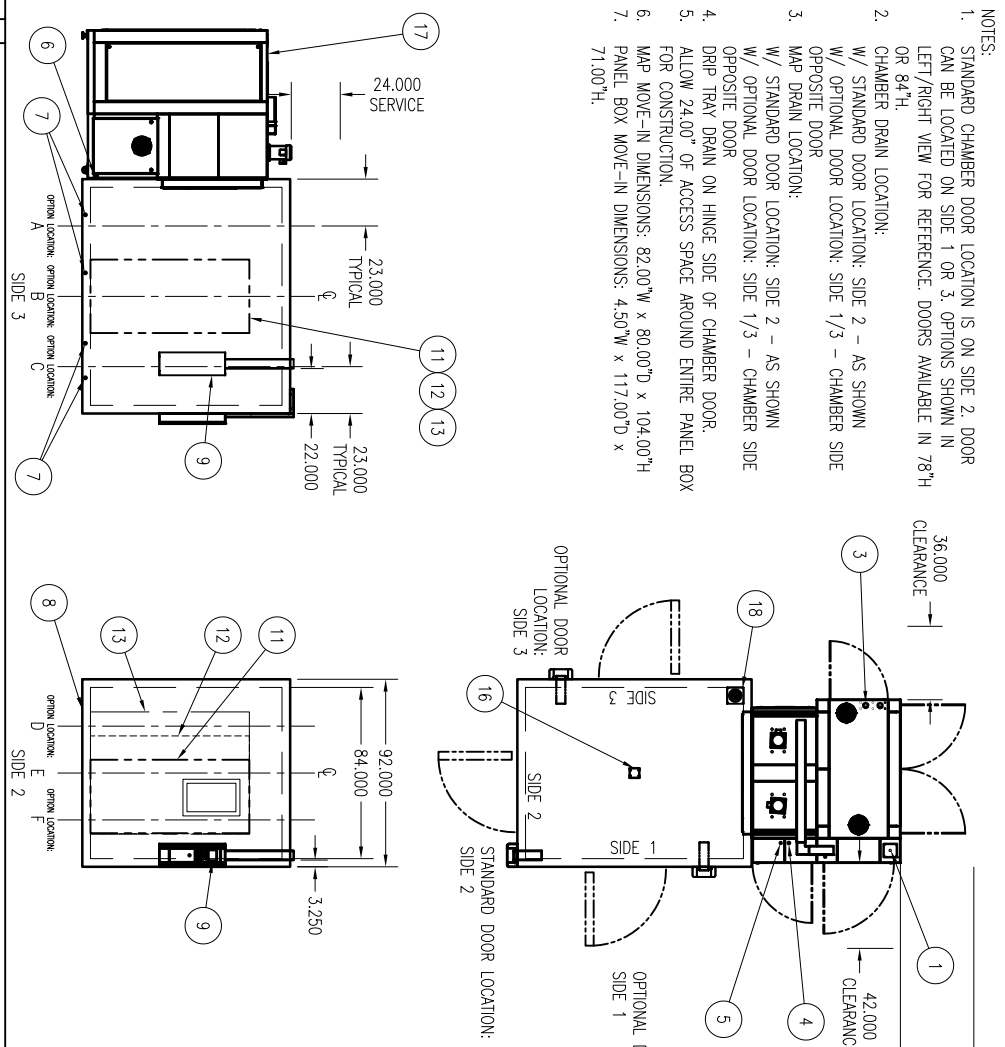


- NOTES:
- STANDARD CHAMBER DOOR LOCATION IS ON SIDE 2. DOOR CAN BE LOCATED ON SIDE 1 OR 3. OPTIONS SHOWN IN LEFT/RIGHT VIEW FOR REFERENCE. DOORS AVAILABLE IN 78" H OR 84" H.
  - CHAMBER DRAIN LOCATION:  
W/ STANDARD DOOR LOCATION: SIDE 2 - AS SHOWN  
W/ OPTIONAL DOOR LOCATION: SIDE 1/3 - CHAMBER SIDE OPPOSITE DOOR
  - MAP DRAIN LOCATION:  
W/ STANDARD DOOR LOCATION: SIDE 2 - AS SHOWN  
W/ OPTIONAL DOOR LOCATION: SIDE 1/3 - CHAMBER SIDE OPPOSITE DOOR
  - DRIP TRAY DRAIN ON HINGE SIDE OF CHAMBER DOOR.
  - ALLOW 24.00" OF ACCESS SPACE AROUND ENTIRE PANEL BOX FOR CONSTRUCTION.
  - MAP MOVE-IN DIMENSIONS: 82.00"W x 80.00"D x 104.00"H  
PANEL BOX MOVE-IN DIMENSIONS: 4.50"W x 117.00"D x 71.00"H.



NO.	NAME	QTY.	REMARKS
1	MAIN POWER INLET	1	
2	MAIN POWER DISCONNECT	1	
3	COOLING WATER IN/OUT	1	
4	HUMIDITY WATER INLET	1	
5	COMPRESSED AIR INLET	1	
6	MAP DRAIN	1	
7	CHAMBER DRAIN	4	
8	DOOR DRIP PAN DRAIN	1	
9	OPERATOR INTERFACE	1	LATCH SIDE OF DOOR
10	OPTION PANEL	1	
11	DOOR, 36" W X 78" H W/ WINDOW	1	SELECT DOOR SIDE
12	DOOR, OPTIONAL 48" W X 78" H W/ WINDOW	N/A	SELECT DOOR SIDE
13	DOOR, OPTIONAL 60" W X 78" H W/ WINDOW	N/A	SELECT DOOR SIDE
14	OPTIONAL WINDOW, 14" W X 24" H VIEW	A/R	PICK OPTION LOCATION A-J
15	CABLE PORT: 42", 4" OR 6"	A/R	PICK OPTION LOCATION A-J
16	LIGHT 100W	1	
17	MODULAR AIR PLENUM (MAP)	1	
18	VENT PORT	1	

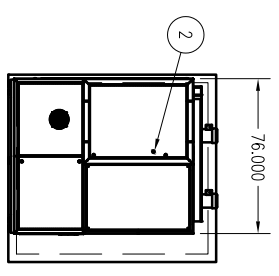
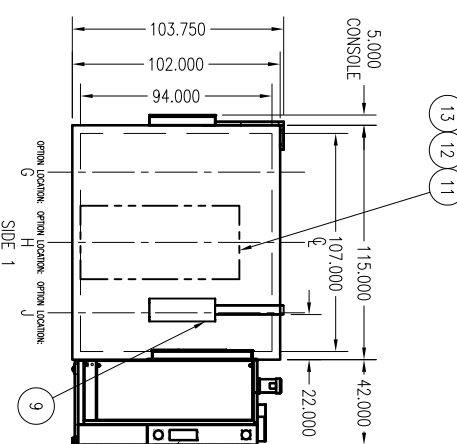
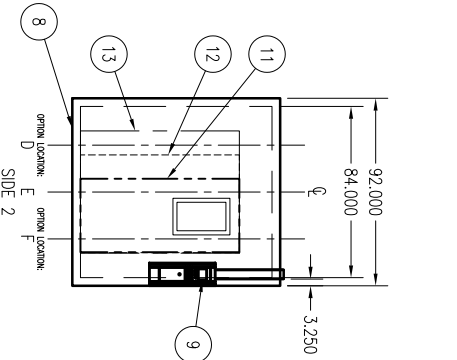
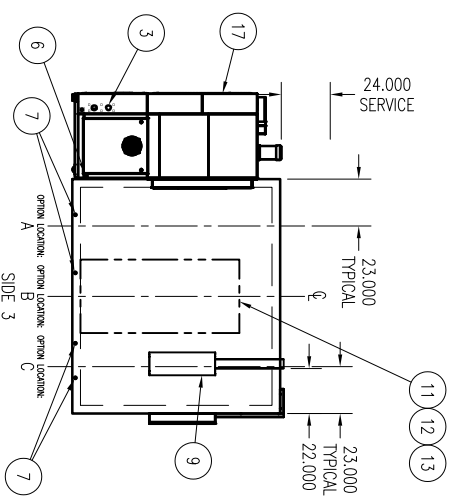
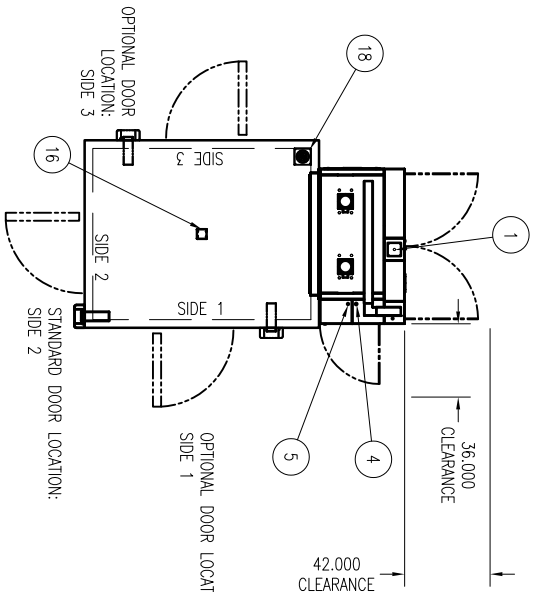
**espec** ESPEC NORTH AMERICA, INC.  
4141 Central Parkway  
Hudsonville, MI 49426

MATERIAL	DRAWN	DATE	TITLE:
	N. DIERLAM	6/16/2016	CHAMBER CONCEPT
	DESIGNED	SCALE	
	N. DIERLAM	1:50	
	TOLERANCE	UNITS	MODEL NO.
	±0.500 [13]	INCHES	8 X 10 X 9 - MAP1

DRAWING NO. EWP489  
1 OF 2

REVISION

- NOTES:
- STANDARD CHAMBER DOOR LOCATION IS ON SIDE 2. DOOR CAN BE LOCATED ON SIDE 1 OR 3. OPTIONS SHOWN IN LEFT/RIGHT VIEW FOR REFERENCE. DOORS AVAILABLE IN 78" H OR 84" H.
  - CHAMBER DRAIN LOCATION:  
W/ STANDARD DOOR LOCATION: SIDE 2 - AS SHOWN  
W/ OPTIONAL DOOR LOCATION: SIDE 1/3 - CHAMBER SIDE OPPOSITE DOOR  
MAP DRAIN LOCATION:  
W/ STANDARD DOOR LOCATION: SIDE 2 - AS SHOWN  
W/ OPTIONAL DOOR LOCATION: SIDE 1/3 - CHAMBER SIDE OPPOSITE DOOR
  - DRP TRAY DRAIN ON HINGE SIDE OF CHAMBER DOOR.
  - ALLOW 24.00" OF ACCESS SPACE AROUND ENTIRE PANEL BOX FOR CONSTRUCTION.
  - MAP MOVE-IN DIMENSIONS: 78.00"W x 48.50"D x 104.00"H
  - PANEL BOX MOVE-IN DIMENSIONS: 4.50"W x 117.00"D x 71.00"H.



NO.	NAME	QTY.	REMARKS
1	MAIN POWER INLET	1	
2	MAIN POWER DISCONNECT	1	
3	COOLING WATER IN/OUT	1	
4	HUMIDITY WATER INLET	1	
5	COMPRESSED AIR INLET	1	
6	MAP DRAIN	1	
7	CHAMBER DRAIN	4	
8	DOOR DRP PAN DRAIN	1	
9	OPERATOR INTERFACE	1	LATCH SIDE OF DOOR
10	OPTION PANEL	1	
11	DOOR, 36" W X 78" H W/ WINDOW	1	SELECT DOOR SIDE
12	DOOR, OPTIONAL 48" W X 78" H W/ WINDOW	N/A	SELECT DOOR SIDE
13	DOOR, OPTIONAL 60" W X 78" H W/ WINDOW	N/A	SELECT DOOR SIDE
14	OPTIONAL WINDOW, 14" W X 24" H VIEW	A/R	PICK OPTION LOCATION A-J
15	CABLE PORT: 42", 4" OR 6"	A/R	PICK OPTION LOCATION A-J
16	LIGHT 100W	1	
17	MODULAR AIR PLENUM (MAP)	1	
18	VENT PORT	1	

MATERIAL		TITLE: CHAMBER CONCEPT	
DRAWN N. DIERLAM		DATE 6/16/2016	
DESIGNED N. DIERLAM		SCALE 1:50	
TOLERANCE ±0.500 [13]		UNITS INCHES	
MODEL NO. 8 X 10 X 9 - MAP2		DRAWING NO. EWP489	
ESPEC NORTH AMERICA, INC. 4141 Central Parkway Hudsonville, MI 49426		REVISION 2 OF 2	

