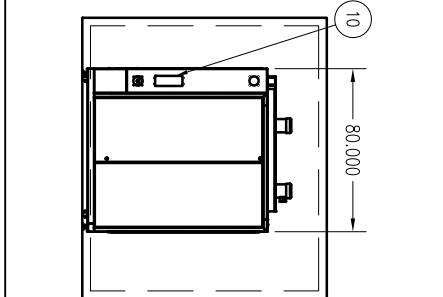
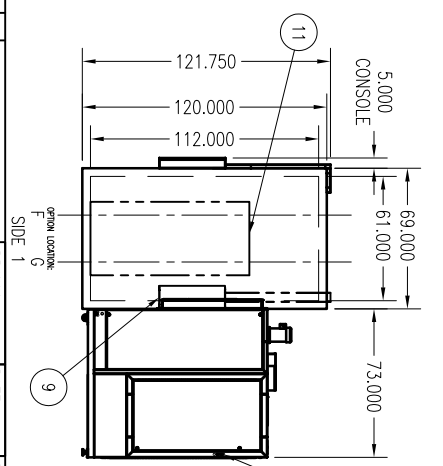
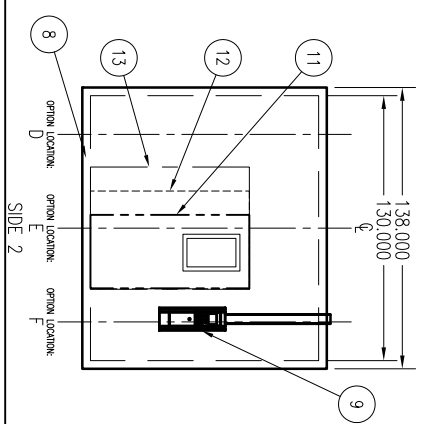
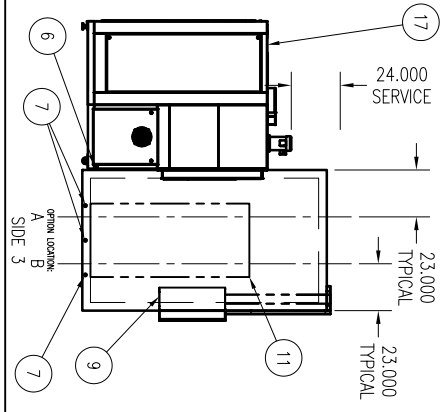
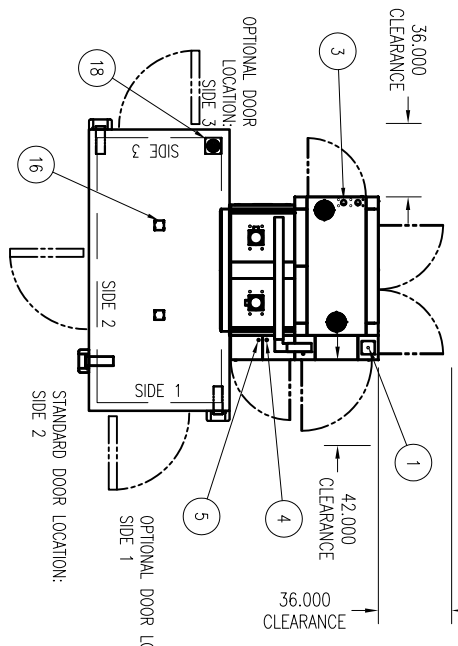


- NOTES:
- STANDARD CHAMBER DOOR LOCATION IS ON SIDE 2. DOOR CAN BE LOCATED ON SIDE 1 OR 3. OPTIONS SHOWN IN LEFT/RIGHT VIEW FOR REFERENCE. DOORS AVAILABLE IN 78"H, 84"H, OR 96"H.
  - CHAMBER DRAIN LOCATION:  
 W/ STANDARD DOOR LOCATION: SIDE 2 - AS SHOWN  
 W/ OPTIONAL DOOR LOCATION: SIDE 1/3 - CHAMBER SIDE OPPOSITE DOOR
  - MAP DRAIN LOCATION:  
 W/ STANDARD DOOR LOCATION: SIDE 2 - AS SHOWN  
 W/ OPTIONAL DOOR LOCATION: SIDE 1/3 - CHAMBER SIDE OPPOSITE DOOR
  - DRP TRAY DRAIN ON HINGE SIDE OF CHAMBER DOOR.
  - ALLOW 24.00" OF ACCESS SPACE AROUND ENTIRE PANEL BOX FOR CONSTRUCTION.
  - MAP MOVE-IN DIMENSIONS: 82.00"W x 80.00"D x 104.00"H  
 PANEL BOX MOVE-IN DIMENSIONS: 4.50"W x 113.00"D x 71.00"H.

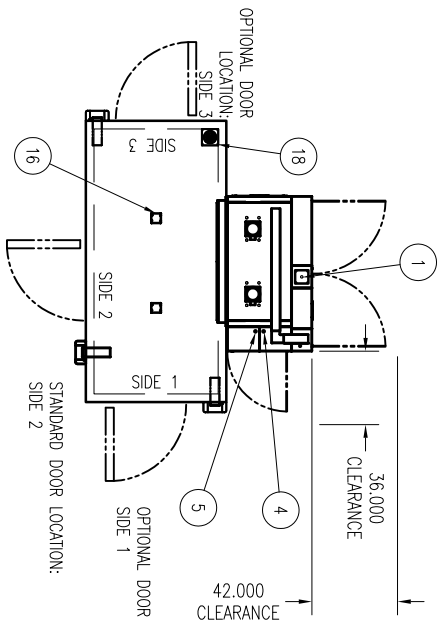
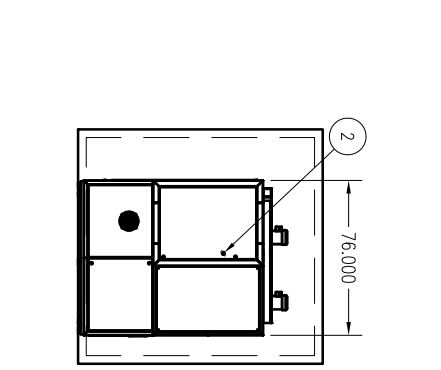
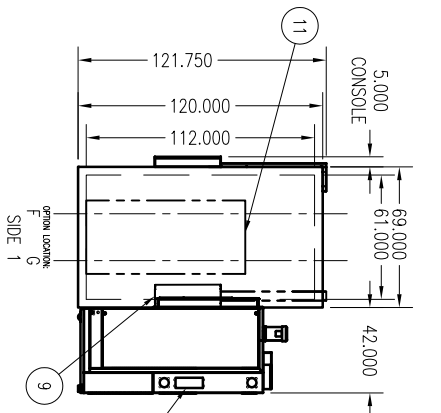
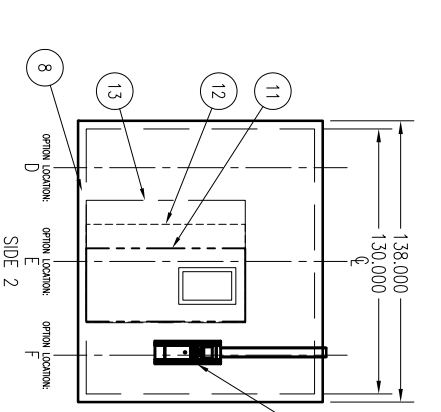
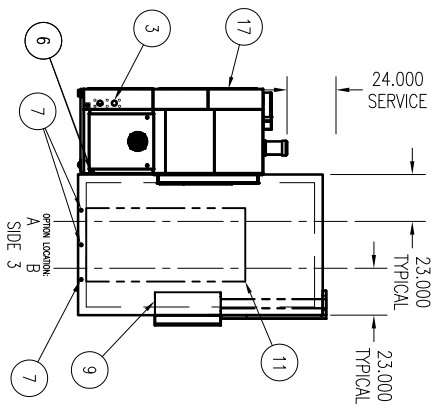


NO.	NAME	QTY.	REMARKS
1	MAIN POWER INLET	1	
2	MAIN POWER DISCONNECT	1	
3	COOLING WATER IN/OUT	1	
4	HUMIDITY WATER INLET	1	
5	COMPRESSED AIR INLET	1	
6	MAP DRAIN	1	
7	CHAMBER DRAIN	3	
8	DOOR DRP PAN DRAIN	1	
9	OPERATOR INTERFACE	1	LATCH SIDE OF DOOR
10	OPTION PANEL	1	
11	DOOR, 36"W X 78"H W/ WINDOW	1	SELECT DOOR SIDE
12	DOOR, OPTIONAL 48"W X 78"H W/ WINDOW	1	SIDE 2 ONLY
13	DOOR, OPTIONAL 60"W X 78"H W/ WINDOW	N/A	SIDE 2 ONLY
14	OPTIONAL WINDOW, 14"W X 24"H VIEW	A/R	PICK OPTION LOCATION A-G
15	CABLE PORT: 42", 4" OR 6"	A/R	PICK OPTION LOCATION A-G
16	LIGHT 100W	2	
17	MODULAR AIR PLENUM (MAP)	1	
18	VENT PORT	1	

**espec** ESPEC NORTH AMERICA, INC.  
 4141 Central Parkway  
 Hudsonville, MI 49426

MATERIAL	DRAWN N. DIERLAM	DATE 6/22/16	TITLE: CHAMBER CONCEPT
	DESIGNED N. DIERLAM	SCALE 1:50	
	TOLERANCE ±0.500 [13]	UNITS INCHES	MODEL NO. 6 X 12 X 10 - MAP1
			DRAWING NO. EWP514
			1 OF 2
			REVISION

- NOTES:
- STANDARD CHAMBER DOOR LOCATION IS ON SIDE 2. DOOR CAN BE LOCATED ON SIDE 1 OR 3. OPTIONS SHOWN IN LEFT/RIGHT VIEW FOR REFERENCE. DOORS AVAILABLE IN 78"H, 84"H, OR 96"H.
  - CHAMBER DRAIN LOCATION:  
W/ STANDARD DOOR LOCATION: SIDE 2 - AS SHOWN  
W/ OPTIONAL DOOR LOCATION: SIDE 1/3 - CHAMBER SIDE OPPOSITE DOOR
  - MAP DRAIN LOCATION:  
W/ STANDARD DOOR LOCATION: SIDE 2 - AS SHOWN  
W/ OPTIONAL DOOR LOCATION: SIDE 1/3 - CHAMBER SIDE OPPOSITE DOOR
  - DRIP TRAY DRAIN ON HINGE SIDE OF CHAMBER DOOR.
  - ALLOW 24.00" OF ACCESS SPACE AROUND ENTIRE PANEL BOX FOR CONSTRUCTION.
  - MAP MOVE-IN DIMENSIONS: 78.00"W x 48.50"D x 104.00"H  
PANEL BOX MOVE-IN DIMENSIONS: 4.50"W x 113.00"D x 71.00"H.



NO.	NAME	QTY.	REMARKS
1	MAIN POWER INLET	1	
2	MAIN POWER DISCONNECT	1	
3	COOLING WATER IN/OUT	1	
4	HUMIDITY WATER INLET	1	
5	COMPRESSED AIR INLET	1	
6	MAP DRAIN	1	
7	CHAMBER DRAIN	3	
8	DOOR DRP PAN DRAIN	1	
9	OPERATOR INTERFACE	1	LATCH SIDE OF DOOR
10	OPTION PANEL	1	
11	DOOR, 36"W X 78"H W/ WINDOW	1	SELECT DOOR SIDE
12	DOOR, OPTIONAL 48"W X 78"H W/ WINDOW	N/A	SIDE 2 ONLY
13	DOOR, OPTIONAL 60"W X 78"H W/ WINDOW	N/A	SIDE 2 ONLY
14	OPTIONAL WINDOW, 14"W X 24"H VIEW	A/R	PICK OPTION LOCATION A-G
15	CABLE PORT: 42", 4" OR 6"	A/R	PICK OPTION LOCATION A-G
16	LIGHT TOWW	2	
17	MODULAR AIR PLENUM (MAP)	1	
18	VENT PORT	1	