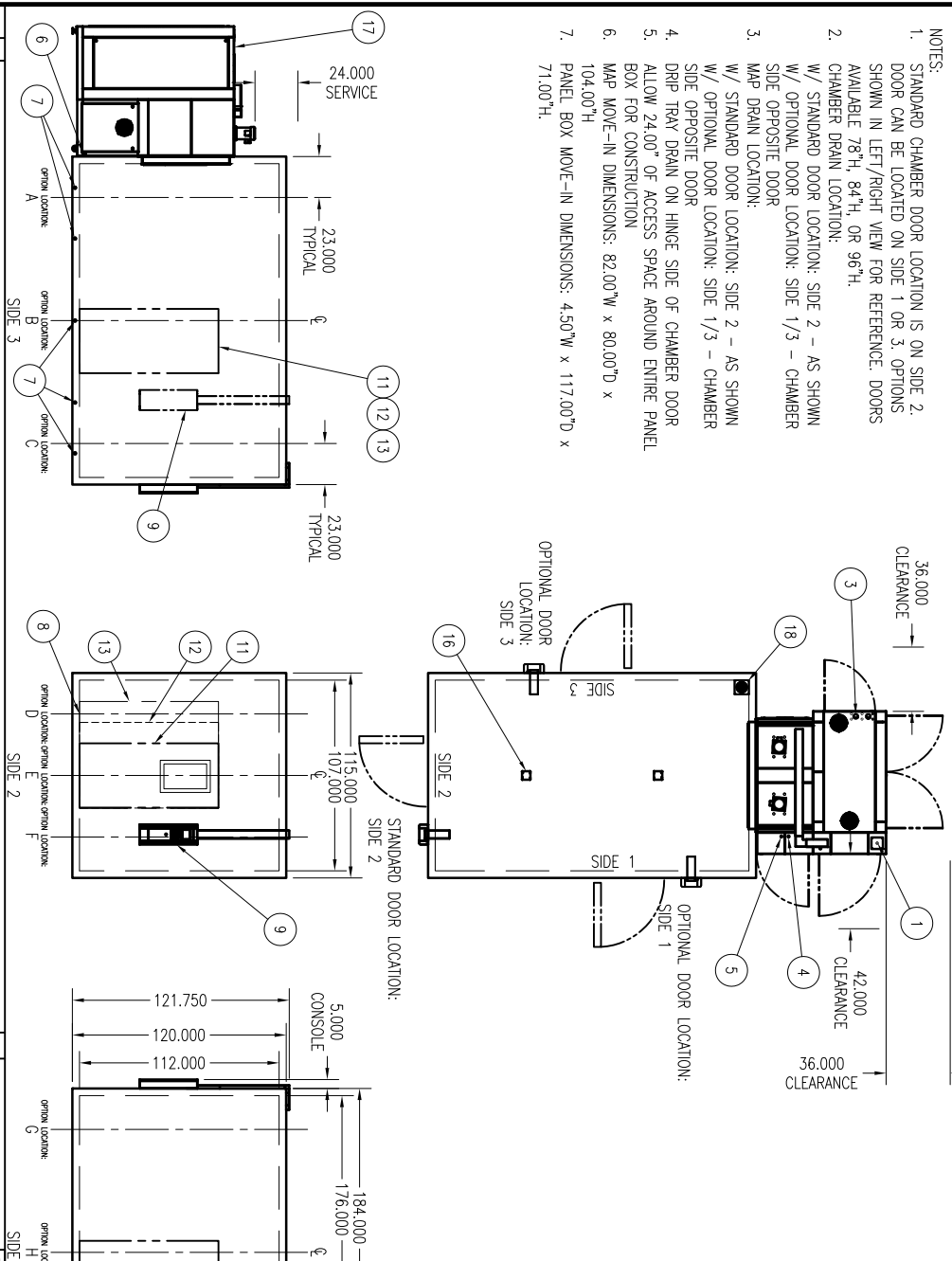


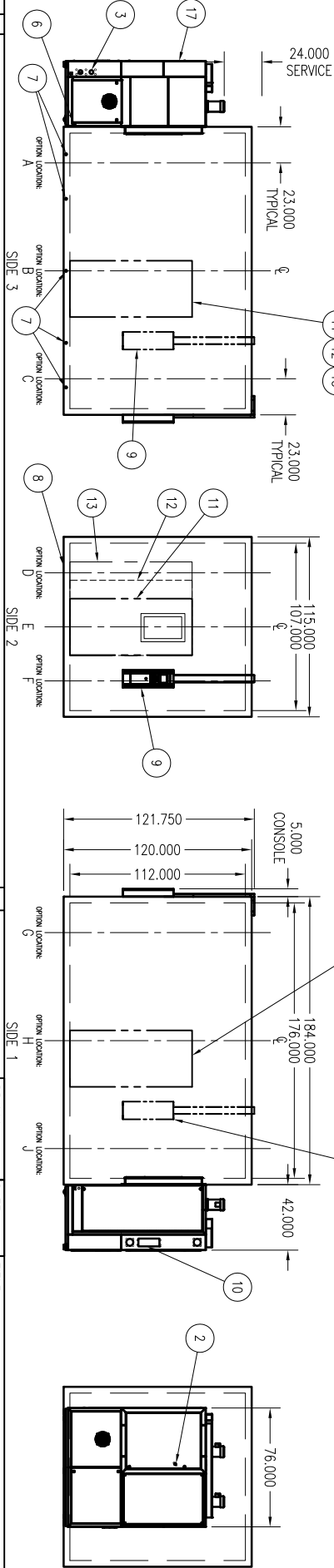
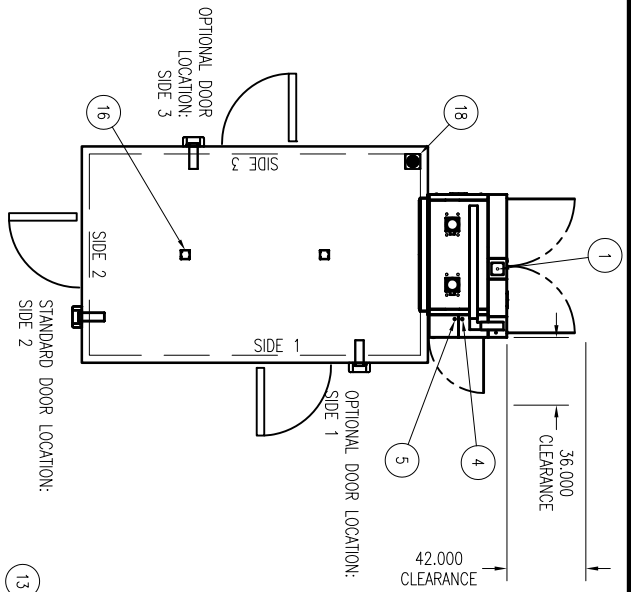
- NOTES:
- STANDARD CHAMBER DOOR LOCATION IS ON SIDE 2. DOOR CAN BE LOCATED ON SIDE 1 OR 3. OPTIONS SHOWN IN LEFT/RIGHT VIEW FOR REFERENCE. DOORS AVAILABLE 78"H, 84"H, OR 96"H.
  - CHAMBER DRAIN LOCATION: SIDE 2 - AS SHOWN W/ STANDARD DOOR LOCATION: SIDE 1/3 - CHAMBER W/ OPTIONAL DOOR LOCATION: SIDE 1/3 - CHAMBER SIDE OPPOSITE DOOR
  - MAP DRAIN LOCATION: SIDE 2 - AS SHOWN W/ STANDARD DOOR LOCATION: SIDE 2 - AS SHOWN W/ OPTIONAL DOOR LOCATION: SIDE 1/3 - CHAMBER SIDE OPPOSITE DOOR
  - DRIP TRAY DRAIN ON HINGE SIDE OF CHAMBER DOOR
  - ALLOW 24.00" OF ACCESS SPACE AROUND ENTIRE PANEL BOX FOR CONSTRUCTION
  - MAP MOVE-IN DIMENSIONS: 82.00"W x 80.00"D x 104.00"H
  - PANEL BOX MOVE-IN DIMENSIONS: 4.50"W x 117.00"D x 71.00"H.



NO.	NAME	QTY.	REMARKS
1	MAIN POWER INLET	1	
2	MAIN POWER DISCONNECT	1	
3	COOLING WATER IN/OUT	1	
4	HUMIDITY WATER INLET	1	
5	COMPRESSED AIR INLET	1	
6	MAP DRAIN	1	
7	CHAMBER DRAIN	5	
8	DOOR DRIP PAN DRAIN	1	
9	OPERATOR INTERFACE	1	LATCH SIDE OF DOOR
10	OPTION PANEL	1	
11	DOOR, 36" W X 78" H W/ WINDOW	1	SELECT DOOR SIDE
12	DOOR, OPTIONAL 48" W X 78" H W/ WINDOW	N/A	SELECT DOOR SIDE
13	DOOR, OPTIONAL 60" W X 78" H W/ WINDOW	N/A	SELECT DOOR SIDE
14	OPTIONAL WINDOW, 14" W X 24" H VIEW	A/R	PICK OPTION LOCATION A-J
15	CABLE PORT: 42", 4" OR 6"	A/R	PICK OPTION LOCATION A-J
16	LIGHT 100W	2	
17	MODULAR AIR PLENUM (MAP)	1	
18	VENT PORT	1	

TITLE: EFD 06038 10-22-98 REV. 1.01		DRAWING REVISION	
MATERIAL		TITLE: CHAMBER CONCEPT	
DRAWN N. DIERLAM	DATE 6/22/2016	MODEL NO. 10 X 16 X 10 - MAP1	DRAWING NO. EWP1221
DESIGNED N. DIERLAM	SCALE 1:35	UNITS INCHES	REVISION
TOLERANCE ±0.500 [13]	UNITS INCHES	OF 2	
		ESPEC NORTH AMERICA, INC. 4141 Central Parkway Hudsonville, MI 49426	

- NOTES:
- STANDARD CHAMBER DOOR LOCATION IS ON SIDE 2. DOOR CAN BE LOCATED ON SIDE 1 OR 3. OPTIONS SHOWN IN LEFT/RIGHT VIEW FOR REFERENCE. DOORS AVAILABLE 78"H, 84"H, OR 96"H.
  - CHAMBER DRAIN LOCATION: SIDE 2 - AS SHOWN W/ STANDARD DOOR LOCATION: SIDE 1/3 - CHAMBER SIDE OPPOSITE DOOR
  - MAP DRAIN LOCATION: SIDE 2 - AS SHOWN W/ STANDARD DOOR LOCATION: SIDE 1/3 - CHAMBER SIDE OPPOSITE DOOR
  - MAP DRAIN LOCATION: SIDE 2 - AS SHOWN W/ STANDARD DOOR LOCATION: SIDE 1/3 - CHAMBER SIDE OPPOSITE DOOR
  - DRIP TRAY DRAIN ON HINGE SIDE OF CHAMBER DOOR
  - ALLOW 24.00" OF ACCESS SPACE AROUND ENTIRE PANEL BOX FOR CONSTRUCTION
  - MAP MOVE-IN DIMENSIONS: 78.00"W x 48.50"D x 104.00"H
  - PANEL BOX MOVE-IN DIMENSIONS: 4.50"W x 117.00"D x 71.00"H.



NO.	NAME	QTY.	REMARKS
1	MAIN POWER INLET	1	
2	MAIN POWER DISCONNECT	1	
3	COOLING WATER IN/OUT	1	
4	HUMIDITY WATER INLET	1	
5	COMPRESSED AIR INLET	1	
6	MAP DRAIN	1	
7	CHAMBER DRAIN	5	
8	DOOR DRIP PAN DRAIN	1	
9	OPERATOR INTERFACE	1	LATCH SIDE OF DOOR
10	OPTIONAL PANEL	1	
11	DOOR, 36"W X 78"H W/ WINDOW	1	SELECT DOOR SIDE
12	DOOR, OPTIONAL 48"W X 78"H W/ WINDOW	1	SELECT DOOR SIDE
13	DOOR, OPTIONAL 60"W X 78"H W/ WINDOW	N/A	SELECT DOOR SIDE
14	OPTIONAL WINDOW, 14"W X 24"H VIEW	N/A	SELECT DOOR SIDE
15	CABLE PORT: #2", 4" OR 6"	A/R	PICK OPTION LOCATION A-J
16	LIGHT 100W	2	
17	MODULAR AIR PLENUM (MAP)	1	
18	VENT PORT	1	

TITLE: EFD 0603B 10-22-98 REV. 1.01		DRAWING REVISION	
		DRAWN: N. DIERLAM DESIGNED: N. DIERLAM TOLERANCE: ±0.500 [13]	
DATE: 6/22/2016 SCALE: 1:85		TITLE: CHAMBER CONCEPT	
ESPEC NORTH AMERICA, INC. 4141 Central Parkway Hudsonville, MI 49426		MODEL NO.: 10 X 16 X 10 - MAP2 DRAWING NO.: EWP1221 2 OF 2	
MATERIAL		REVISION	