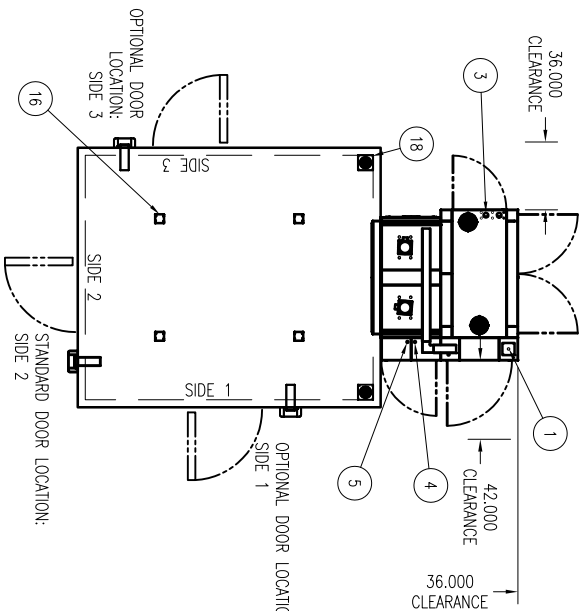
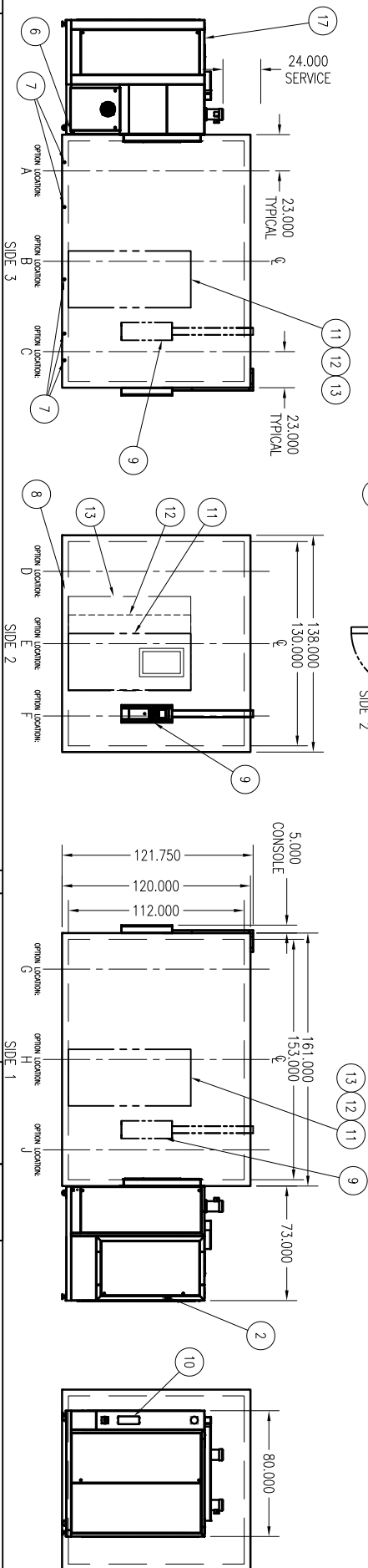


- NOTES:
- STANDARD CHAMBER DOOR LOCATION IS ON SIDE 2. DOOR CAN BE LOCATED ON SIDE 1 OR 3. OPTIONS SHOWN IN LEFT/RIGHT VIEW FOR REFERENCE. DOORS AVAILABLE 78"H, 84"H, OR 96"H.
 - CHAMBER DRAIN LOCATION:
W/ STANDARD DOOR LOCATION: SIDE 2 - AS SHOWN
W/ OPTIONAL DOOR LOCATION: SIDE 1/3 - CHAMBER SIDE OPPOSITE DOOR
 - MAP DRAIN LOCATION:
W/ STANDARD DOOR LOCATION: SIDE 2 - AS SHOWN
W/ OPTIONAL DOOR LOCATION: SIDE 1/3 - CHAMBER SIDE OPPOSITE DOOR
 - DRIP TRAY DRAIN ON HINGE SIDE OF CHAMBER DOOR.
 - ALLOW 24.00" OF ACCESS SPACE AROUND ENTIRE PANEL BOX FOR CONSTRUCTION.
 - MAP MOVE-IN DIMENSIONS: 82.00"W x 80.00"D x 104.00"H
 - PANEL BOX MOVE-IN DIMENSIONS: 4.50"W x 140.00"D x 71.00"H.

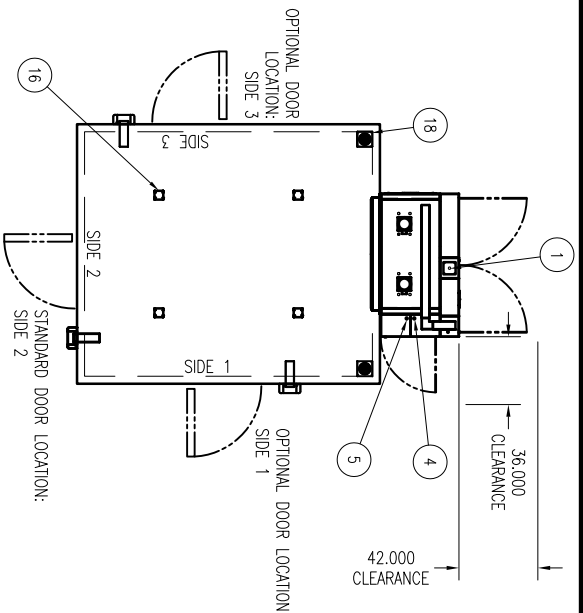


NO.	NAME	QTY.	REMARKS
1	MAIN POWER INLET	1	
2	MAIN POWER DISCONNECT	1	
3	COOLING WATER IN/OUT	1	
4	HUMIDITY WATER INLET	1	
5	COMPRESSED AIR INLET	1	
6	MAP DRAIN	1	
7	CHAMBER DRAIN	5	
8	DOOR DRIP PAN DRAIN	1	
9	OPERATOR INTERFACE	1	LATCH SIDE OF DOOR
10	OPTION PANEL	1	
11	DOOR, 36"W X 78"H W/ WINDOW	1	SELECT DOOR SIDE
12	DOOR, OPTIONAL 48"W X 78"H W/ WINDOW	1	SELECT DOOR SIDE
13	DOOR, OPTIONAL 60"W X 78"H W/ WINDOW	N/A	SELECT DOOR SIDE
14	OPTIONAL WINDOW, 14"W X 24"H VIEW	N/A	SELECT DOOR SIDE
15	CABLE PORT: #2", 4" OR 6"	N/A	PICK OPTION LOCATION A-J
16	LIGHT 100W	A/R	PICK OPTION LOCATION A-J
17	MODULAR AIR PLENUM (MAP)	4	
18	VENT PORT	1	
		2	

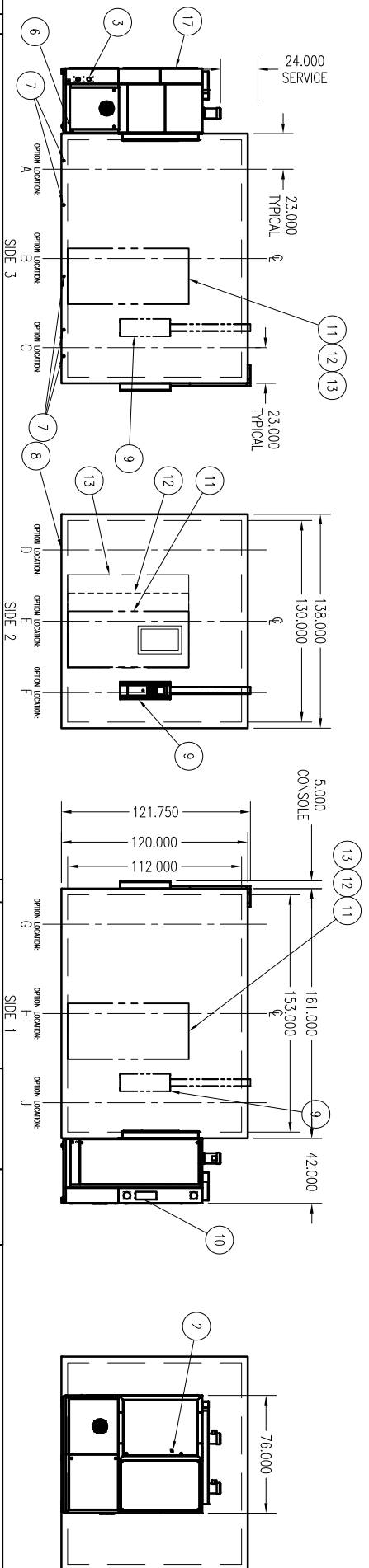


TITLE: EFD 0603B 10-22-98 REV. 1.01		DRAWING REVISION	
		DRAWN: N. DIERLAM DESIGNED: N. DIERLAM TOLERANCE: ±0.500 [13]	
DATE: 6/22/2016 SCALE: 1:85		TITLE: CHAMBER CONCEPT	
MATERIAL:		MODEL NO.: 12 X 14 X 10 - MAP1	
ESPEC NORTH AMERICA, INC. 4141 Central Parkway Hudsonville, MI 49426		DRAWING NO.: EWP1289 1 OF 2	
		REVISION	

- NOTES:
- STANDARD CHAMBER DOOR LOCATION IS ON SIDE 2. DOOR CAN BE LOCATED ON SIDE 1 OR 3. OPTIONS SHOWN IN LEFT/RIGHT VIEW FOR REFERENCE. DOORS AVAILABLE 78"H, 84"H, OR 96"H.
 - CHAMBER DRAIN LOCATION:
W/ STANDARD DOOR LOCATION: SIDE 2 - AS SHOWN
W/ OPTIONAL DOOR LOCATION: SIDE 1/3 - CHAMBER SIDE OPPOSITE DOOR
 - MAP DRAIN LOCATION:
W/ STANDARD DOOR LOCATION: SIDE 2 - AS SHOWN
W/ OPTIONAL DOOR LOCATION: SIDE 1/3 - CHAMBER SIDE OPPOSITE DOOR
 - DRIP TRAY DRAIN ON HINGE SIDE OF CHAMBER DOOR.
 - ALLOW 24.00" OF ACCESS SPACE AROUND ENTIRE PANEL BOX FOR CONSTRUCTION.
 - MAP MOVE-IN DIMENSIONS: 78.00"W x 48.50"D x 104.00"H
 - PANEL BOX MOVE-IN DIMENSIONS: 4.50"W x 140.00"D x 71.00"H.



NO.	NAME	QTY.	REMARKS
1	MAIN POWER INLET	1	
2	MAIN POWER DISCONNECT	1	
3	COOLING WATER IN/OUT	1	
4	HUMIDITY WATER INLET	1	
5	COMPRESSED AIR INLET	1	
6	MAP DRAIN	1	
7	CHAMBER DRAIN	5	
8	DOOR DRIP PAN DRAIN	1	
9	OPERATOR INTERFACE	1	LATCH SIDE OF DOOR
10	OPTIONAL PANEL	1	
11	DOOR, 36" W X 78" H W/ WINDOW	1	SELECT DOOR SIDE
12	DOOR, OPTIONAL 48" W X 78" H W/ WINDOW	N/A	SELECT DOOR SIDE
13	DOOR, OPTIONAL 60" W X 78" H W/ WINDOW	N/A	SELECT DOOR SIDE
14	OPTIONAL WINDOW, 14" W X 24" H VIEW	A/R	PICK OPTION LOCATION A-J
15	CABLE PORT: #2", 4" OR 6"	A/R	PICK OPTION LOCATION A-J
16	LIGHT 100W	4	
17	MODULAR AIR PLENUM (MAP)	1	
18	VENT PORT	2	



TITLE: EFD 06038 10-22-98 REV. 1.01		DRAWING REVISION	
MATERIAL		DRAWN: N. DIERLAM DESIGNED: N. DIERLAM TOLERANCE: ±0.500 [13]	
DATE: 6/22/2016 SCALE: 1:35		UNITS: INCHES	
TITLE: CHAMBER CONCEPT		MODEL NO.: 12 X 14 X 10 - MAP2	
		ESPEC NORTH AMERICA, INC. 4141 Central Parkway Hudsonville, MI 49426	
DRAWING NO.: EWP1289 2 OF 2		REVISION	